



# Modular Junction Box - MJB2

## Data sheet

# MJB2

The MJB2 is a compact 2-port repeater designed for use together with analogue or OpenBus™ control boxes. It is optimised for use in systems where 1 extra port is needed for easy connection of a hand control, a foot switch or an accessory like the UBL. It is easy to integrate in a wide range of healthcare applications such as hospital beds, surgery tables, and treatment chairs.

The MJB2 offers quick and easy mounting via cable tie or screws. IPX6 Washable DURA™ helps prolong the lifetime and makes the MJB2 ready for wash tunnels and high-pressure washdown.



---

## Features:

- Port connections: Up to two controls of various types with modular jack plug
- Colour: Light Grey, RAL 7035
- Protection Class: IPX6, IPX6 Washable DURA™
- Mounting: Fixed mounting via 2 screws, type ISO4762-M5X30 or via two cable ties
- Cable lengths: 550 mm, 1250 mm or 2500 mm
- Cable types: PVC cable with 10 wires for connection to analogue control boxes or 6 wires for OpenBus™ control boxes

## Usage:

- Usage temperature: +5 °C to +40 °C
- Storage temperature: -10 °C to +50 °C
- Compatibility: Connection to LINAK OpenBus and analogue control boxes
- Relative humidity: 20% to 80% – not condensing
- Atmospheric pressure: 700 to 1060 hPa
- Latex free: Yes
- Approvals: IEC 60601-1  
ANSI/AAMI ES60601-1  
CAN/CSA-22.2 No 60601-1

### Functionality:

The MJB2 is used where there is a need for more ports than available on the control box.

The MJB2 offers one extra port repeater for controls and accessories like hand controls, foot switches, UBL, SLS, etc. The MJB2 is only to be used as a port repeater, it is not programmable.

### MJB2

Ordering example:

Type	MJB2			
Not Used	0			
Not Used	0			
IP Degree	2	2 = IPX6 9 = IPX6 Washable DURA™ *)		
Housing colour	-	- = RAL7035		
Cable type	0	0 = 6 Wires 1 = 10 Wires *)		
Cable length	0550	0550 = 550 mm 1250 = 1250 mm 2500 = 2500 mm		

Chosen item number:

MJB2002-00550

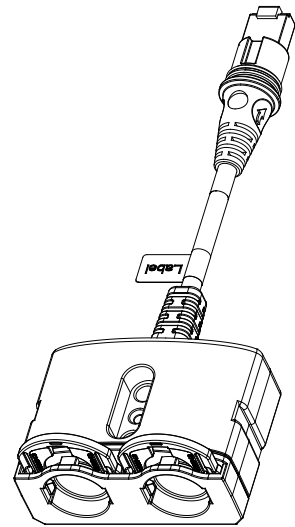
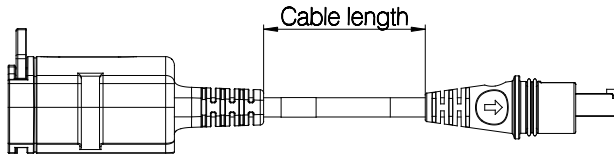
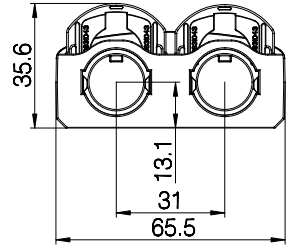
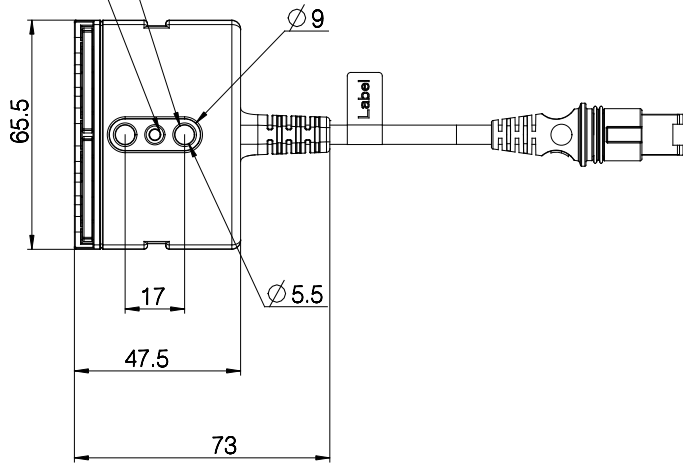
Cable locks are included when ordering the MJB2.

\*) MJB2 10 wires analogue version in combination with DURA is upon request.

**Dimensions:**

2x Holes for M5 DIN912 screw

Hole for M3 DIN7991 screw



Drawing no. 0829032

LINAK® accepts no responsibility for possible errors or inaccuracies in catalogues, brochures, and other material. LINAK reserves the right to change its products without prior notice. LINAK cannot guarantee product availability and reserves the right to discontinue the sale of any product. The user is responsible for determining the suitability of LINAK products for a specific application. All sales are subject to the 'Standard Terms of Sale and Delivery', available on LINAK websites.

LINAK and the LINAK logotype are registered trademarks of LINAK A/S. All rights reserved.

Copyright © LINAK 2021.03 - MA M9-02-817-A - Chapter 10.52